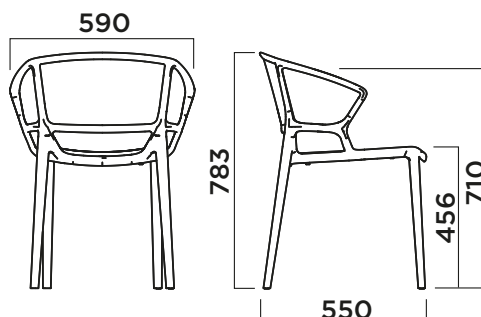


## FIORELLINA perforated seat and back with arms

5012-PWAP

Design Fabrizio Batoni



### CHAIR

SEDIA

CHAIR

Polypropylene + Glass fiber

Polipropilene + Fibra di vetro

Polipropileno + Fibra de vidrio.



**S020**



**S011**



**S503**



**S514**



**P7608U**

### FINISHING

FINITURA

ACABADO

Perforated seat and back. Chairs for outdoor use in areas with medium solar radiation  $\leq 140B$  Kcal./cm<sup>3</sup>/yr (expressed in Kilo-Langlely per year).

Seduta adatta per utilizzo esterno in zone con irraggiamento solare medio  $\leq 140$  Kcal./cm<sup>3</sup>/yr ( espresso in Kilo-Langlely per anno).

Asientos para uso exterior en zonas de radiación solar media  $\leq 140B$  Kcal./cm<sup>3</sup>/año (expresado en KiloLanglely por año).

### FEET

PIEDINI

PIES DE APOYO

Polyethylene

Polietilene

Polietileno

### CERTIFICATIONS

CERTIFICAZIONI

CERTIFICADOS

