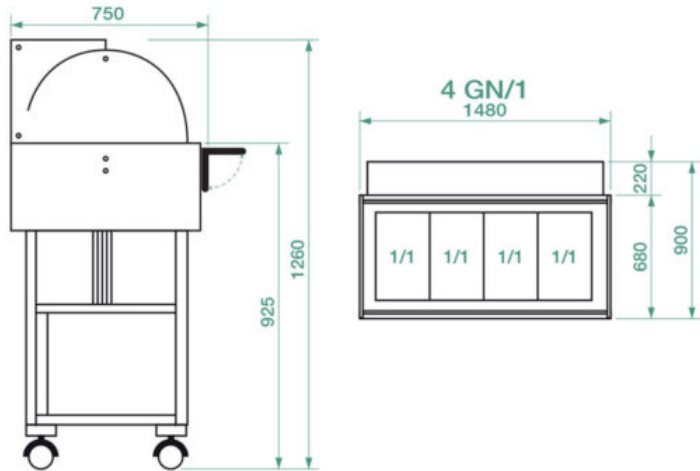


WOODEN REFRIGERATED TROLLEY CLR2787NBT

SKU: CLR2787NBT



DATI TECNICI

COLORE	<u>NOCE</u>
ALIMENTAZIONE MONOFASE	<u>230V - 50Hz</u>
TEMPERATURA DI LAVORO	<u>-5°C +5°C</u>
TIPO DI GAS	<u>R600a</u>
N. TEGLIE / VASSOI	<u>3 x GN1/1 - 150(h) mm</u>

Wooden refrigerated trolleys with Plexiglas dome. Multi-layered birch wood structure - half-round Plexiglas dome - static refrigeration - models with foldable shelf and support base - multidirectional wheels \varnothing 100 mm. Containers not included - the operating temperatures listed are to be considered with lids on.

